

MIN. 12 GA WELDED STEEL REINFORCEMENT

CL OF STRIKE HOLE

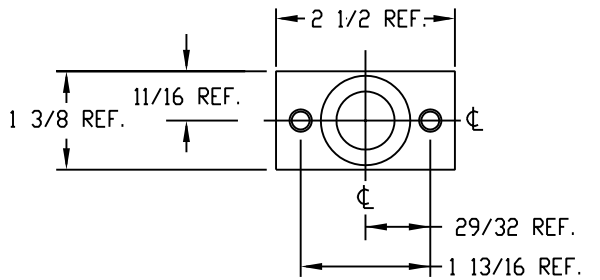
DRILL & TAP FOR 1/4-20 THREADS

CL OF DEVICE

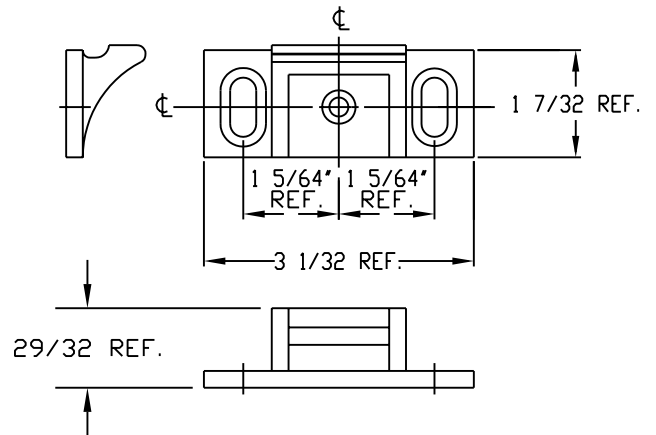
1 5/64" (27.2)

1 5/64" (27.2)

THIS HOLE TO BE DRILLED AND TAPPED FOR 1/4-20 THREADS AFTER INSTALLATION AND ADJUSTMENT OF STRIKE



97 BOTTOM STRIKE



97 TOP STRIKE

RESPONSIBILITY

Door and Frame Manufacturers are responsible for providing adequate construction or reinforcements for proper installation of hardware shown. All architectural builders hardware must be installed on properly reinforced doors and frames regardless of the type, material or method of construction.

TEMPLATE  
97 STRIKE

HDG. \_\_\_\_\_ DR. \_\_\_\_\_



DO NOT SCALE DRAWING

DATE 8/9/02

TEMPLATE NUMBER T1108