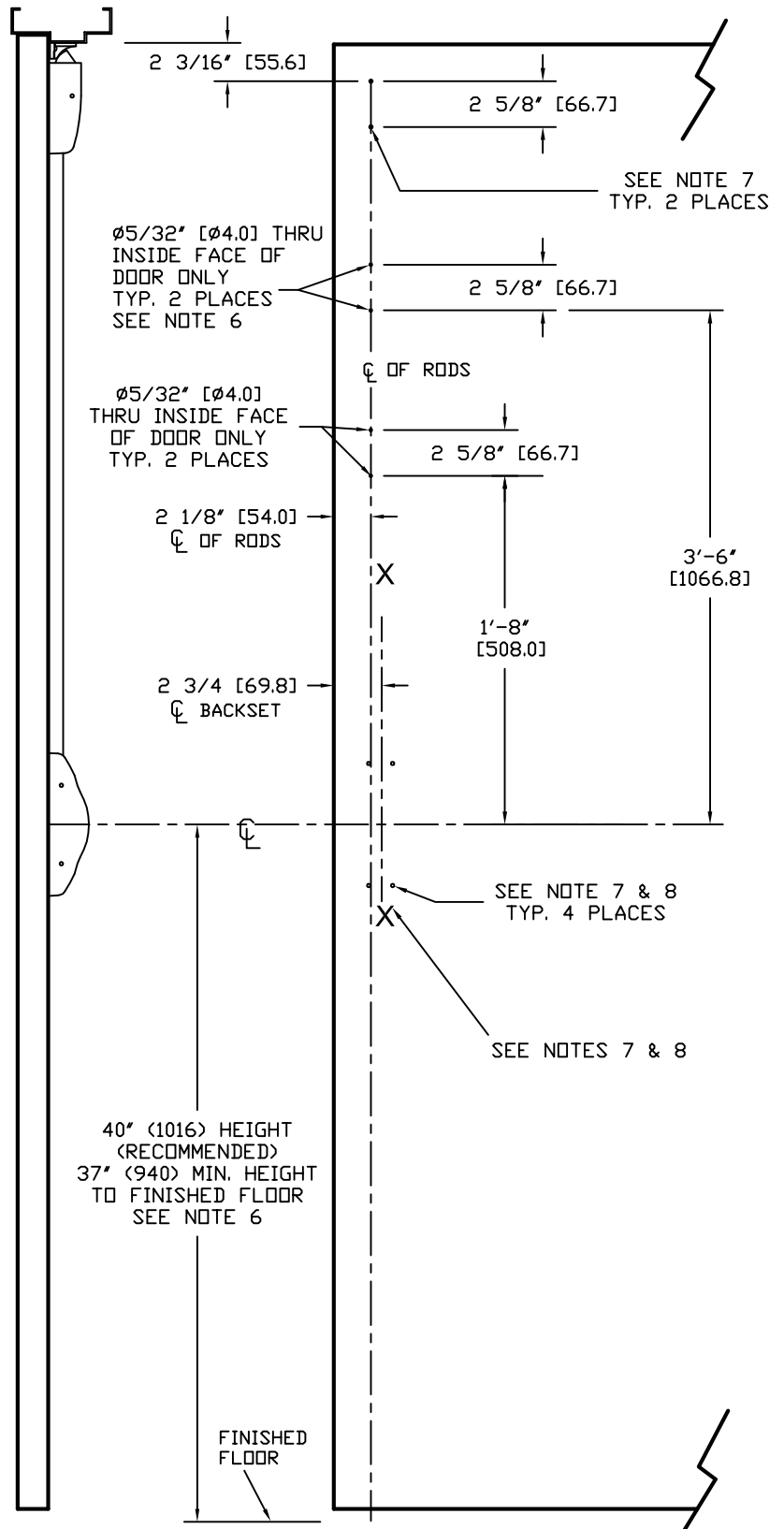
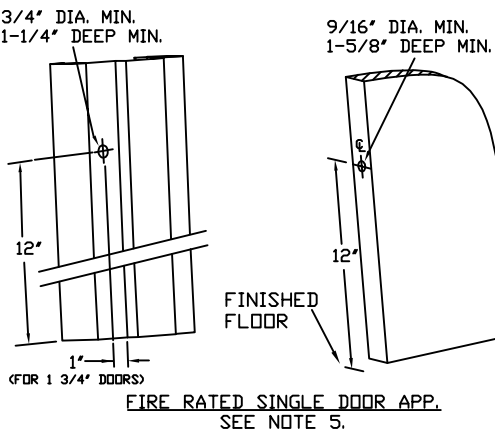
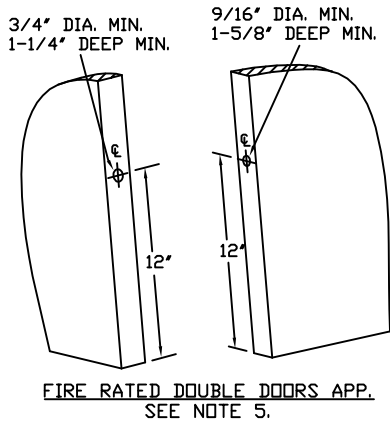


**NOTES:**

1. DO NOT SCALE DRAWING.
2. DIMENSIONS ARE IN INCHES [mm].
3. LHR DOOR SHOWN.
4. MINIMUM STILE WIDTH: 4-1/2" [114.3].
5. INSTALL POPPER ON FIRE RATED DOORS ONLY (PREFIX F). THE POPPER HOLES MUST BE ALIGNED WITH EACH OTHER.
6. REQUIRED FOR DOOR HEIGHTS OVER 7'0", OR IF DISTANCE BETWEEN DEVICE CENTER LINE TO TOP OF DOOR EXCEEDS 44".
7. DRILL & TAP 1/4-20 THREADS THRU INSIDE FACE OF DOOR ONLY. IF REQUIRED, THRU-BOLT HOLE SIZE 9/32" INTERIOR DOOR FACE, AND 3/8" EXTERIOR DOOR FACE.
8. PLEASE REFER TO HOLE DETAIL ON PAGE 2.



HDG. \_\_\_\_\_ DR. \_\_\_\_\_

**RESPONSIBILITY**  
Door and Frame Manufacturers are responsible for providing adequate construction or reinforcements for proper installation of hardware shown. All architectural builders hardware must be installed on properly reinforced doors and frames regardless of the type, material or method of construction.

**TEMPLATE  
STEEL DOOR  
2101 & F2101 SERIES  
TOP ROD ONLY EXIT DEVICE  
BP-1 MOUNTING PLATE**

**DETEX CORPORATION**

DO NOT SCALE DRAWING

DATE 3-29-10 TEMPLATE NUMBER T1084 Pg 1 OF 2

FOR NO TRIM:  
1/4-20 TAP  
4 PLS

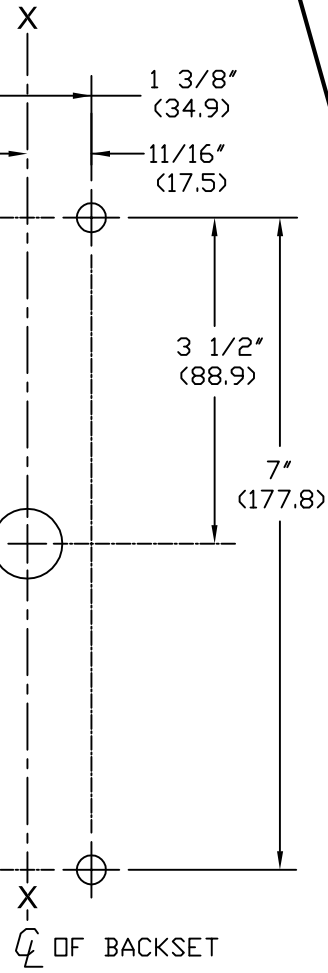
FOR OUTSIDE TRIM ONLY:  
INSIDE HOLES 5/16" (7.9)  
OUTSIDE HOLES 1/2" (12.7)  
4 PLS

FOR OUTSIDE TRIM ONLY  
3/4" Ø HOLE  
(19.1)

☒ DEVICE

40" (1016) HEIGHT  
(RECOMMENDED)  
TO FINISHED FLOOR

1/8" (3.2) GAP ASSUMED  
(DOOR TO FRAME)



INSIDE FACE  
OF LOCK STILE  
LHR DOOR

HDG. \_\_\_\_\_ DR. \_\_\_\_\_

- NOTES:  
1. LHR SHOWN; RHR OPPOSITE.  
2. DIMENSIONS SHOWN IN INCHES AND (mm).

**RESPONSIBILITY**  
Door and Frame Manufacturers are responsible for providing adequate construction or reinforcements for proper installation of hardware shown. All architectural builders hardware must be installed on properly reinforced doors and frames regardless of the type, material or method of construction.

TEMPLATE  
STEEL DOOR  
2101 & F2101 SERIES  
TOP ROD ONLY EXIT DEVICE  
BP-1 MOUNTING PLATE

**DETEX CORPORATION**  
DO NOT SCALE DRAWING  
DATE 3-29-10 TEMPLATE NUMBER T1084 Pg 2 OF 2