



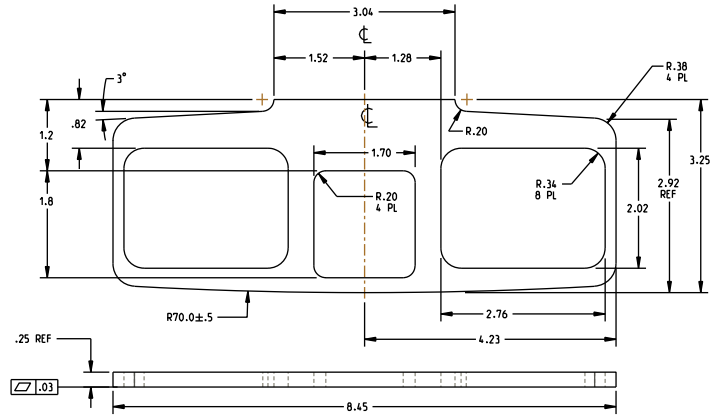
GB3 Glass Bead Kit

The GB3 glass bead kit is used as a 1/4" shim for flush doors with light kit moldings. The GB3 is for use with the Advantex 20 Series Surface Vertical Rod Exit Device at a 7-foot height.

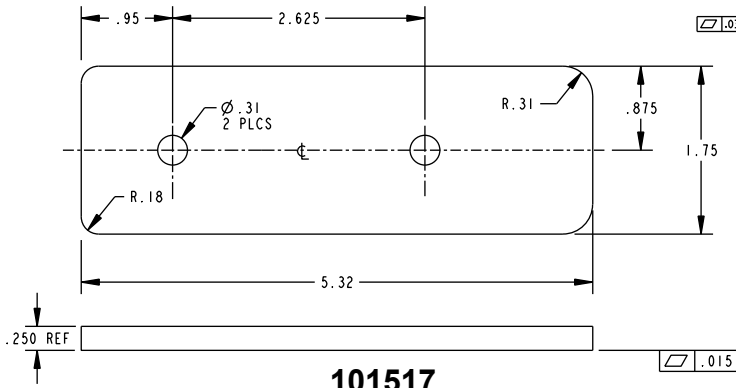
Glass Bead Kit For EC1 Endcap

Included in this kit:

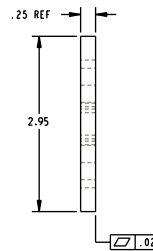
- 1x- 101517
- 2x- 101516
- 1x- 101515
- 1x- 101368
- 1x- 101369



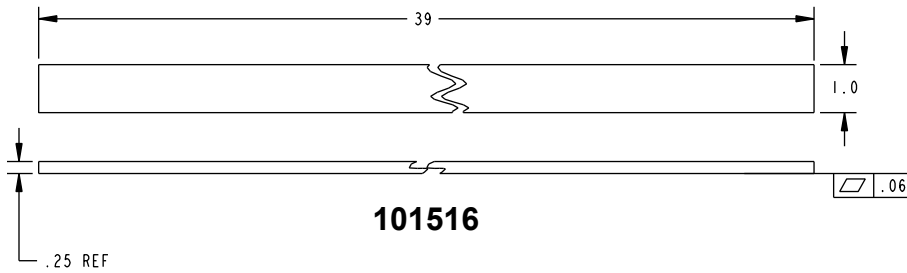
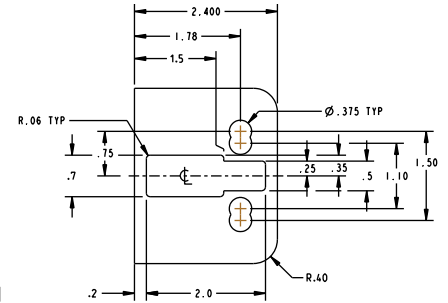
101368



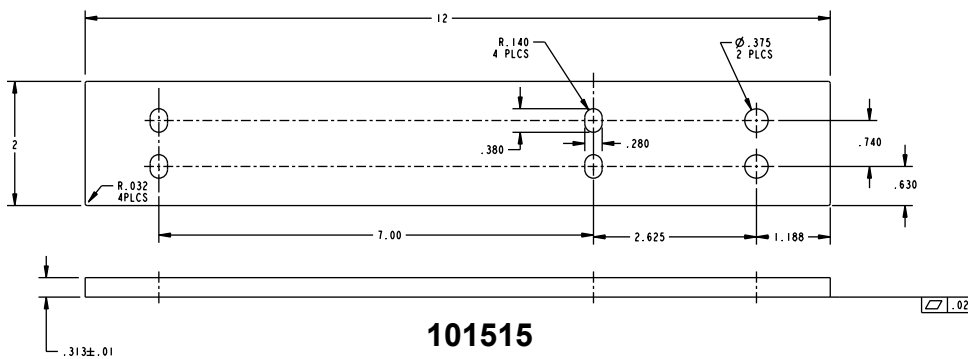
101517



101369



101516



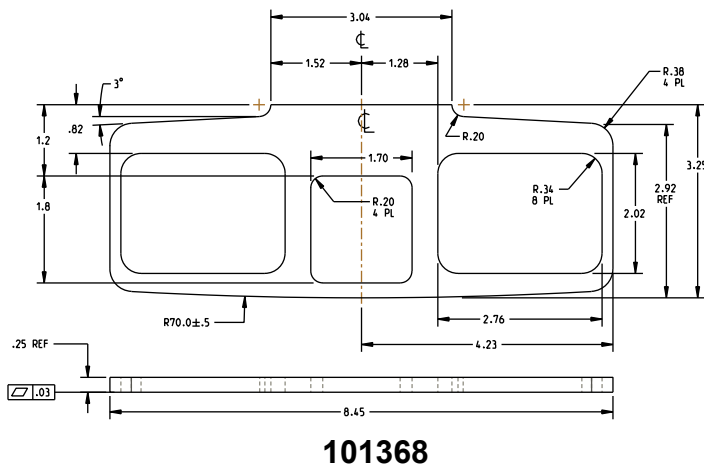
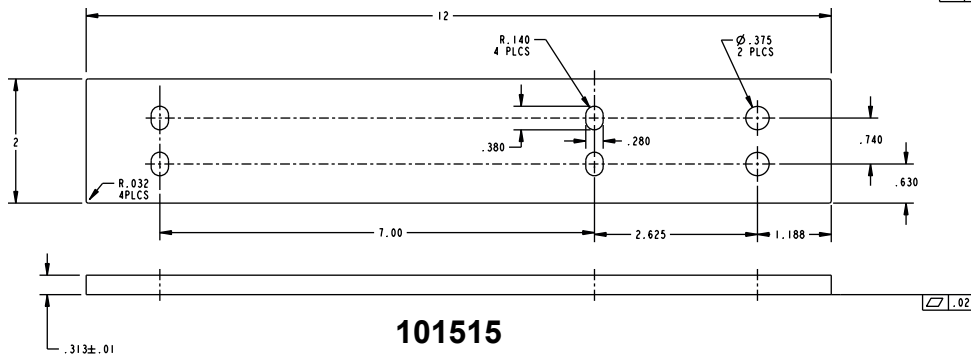
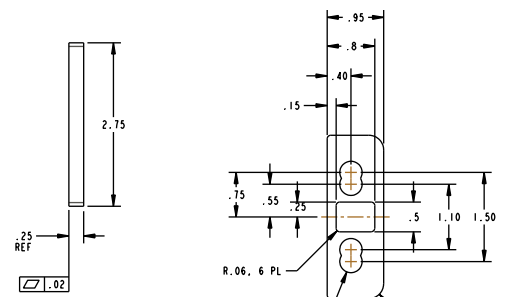
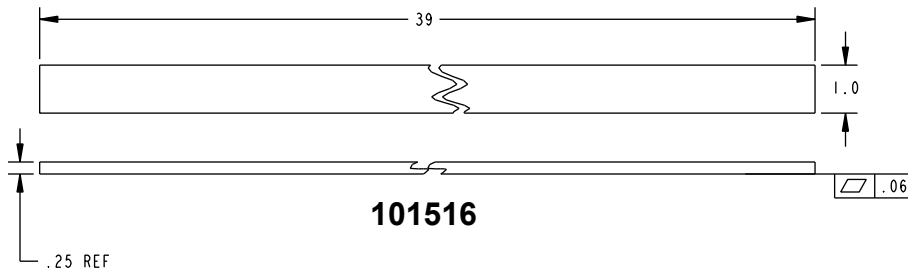
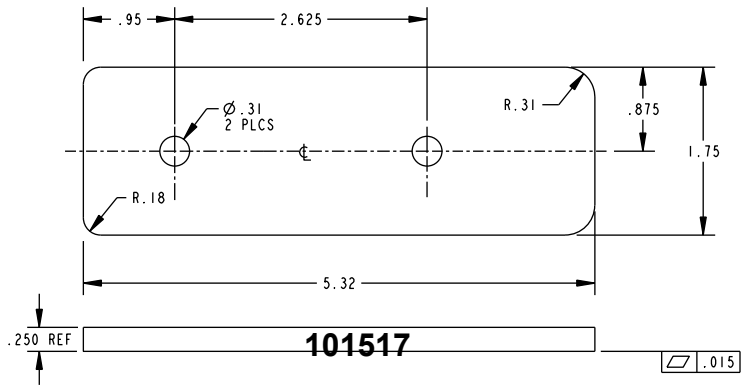
101515



Glass Bead Kit For EC2 Endcap

Included in this kit:

- 1x- 101517
- 2x- 101516
- 1x- 101515
- 1x- 101368
- 1x- 104688



Detex Corporation
302 Detex Drive
New Braunfels, Texas 78130-3045 USA
PH. (830) 629-2900
(800) 729-3839
FAX (800) 653-3839
<http://www.detex.com>
USA Sales:
marketing@detex.com
International Sales:
export@detex.com

 Cancer & Reproductive Harm - www.detex.com/prop65