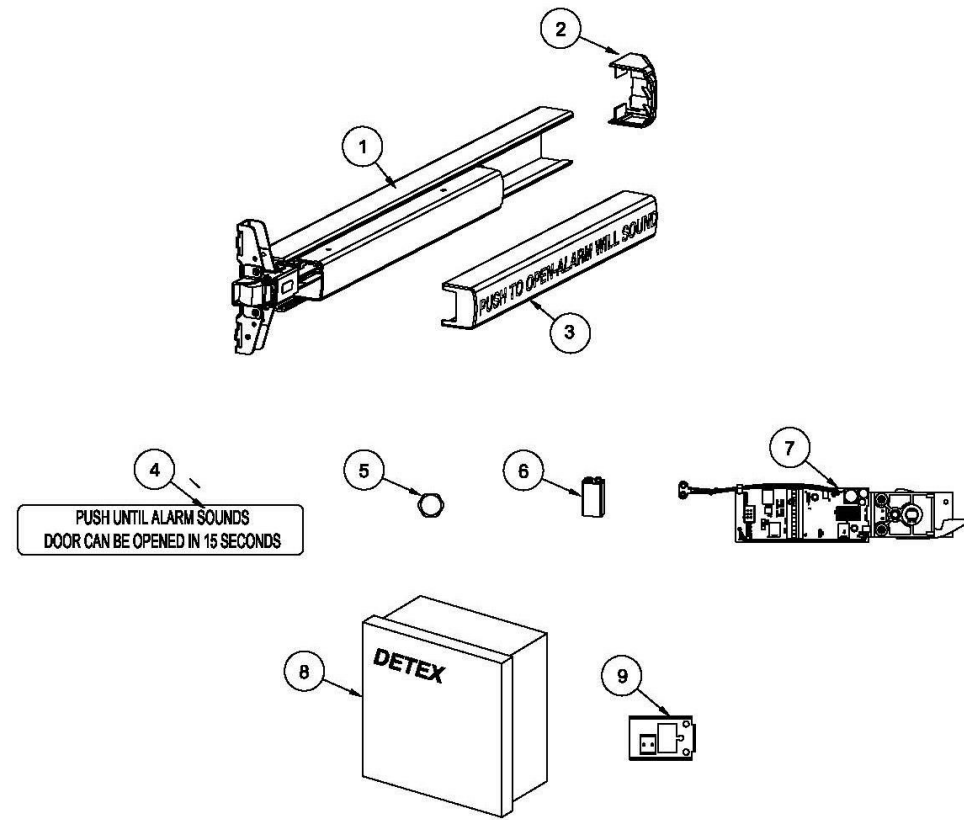


# VALUE SERIES®



## EE Parts List

Item	Order Part#	Description	Price
1	106900-11	Centercase/Pushpad SubAssembly, S&R V40, EE, 36"	\$1,038.37
	106900-13	Centercase/Pushpad SubAssembly, S&R V40, EE, 48"	\$1,080.42
	106900-14	Centercase/Pushpad SubAssembly, S&R V50/V51, EE, 36"	\$1,377.10
	106900-15	Centercase/Pushpad SubAssembly, S&R V50/V51, EE, 48"	\$1,420.31
2	101822	Endcap, Value Series	\$8.40
3	101810-1	Pushpad Wrap, 3-0	\$28.00
	101815-1	Pushpad Wrap, 4-0	\$21.00
4	ECL-395	Door Sign, 15 second delayed egress	\$19.00
	ECL-395-1	Door Sign, 30 second delayed egress	\$19.00
5	100783	Hex Nut (for cylinder installation)	\$8.00
6	PP-5567	9V Battery	\$11.00
7	105032-3	Value Series, Rim, EE fillerplate, 3 ft, 15/15	\$382.00
	105032-4	Value Series, Rim, EE fillerplate, 4 ft, 15/15	\$389.00
	105032-15	Value Series, Rim, EE fillerplate, 3 ft, 1/15 SA	\$366.00
	105032-16	Value Series, Rim, EE fillerplate, 4 ft, 1/15 SA	\$368.00
	105031-3	Value Series, SVR, EE fillerplate, 3 ft, 15/15	\$453.00
	105031-4	Value Series, SVR, EE fillerplate, 4 ft, 15/15	\$460.00
	105031-15	Value Series, SVR, EE fillerplate, 3 ft, 1/15 SA	\$366.00
	105031-16	Value Series, SVR, EE fillerplate, 4 ft, 1/15 SA	\$368.00
8	90-800	90-800 Power Supply	\$777.00
9	101844	Endcap Bracket	\$12.60

NOTE: Your particular part or configuration may not be shown: Contact Detex technical support at 800-729-3839 (option 2)

March 8, 2023